

QPF4538

5GHz Wi-Fi Front End Module

Product Features

- 4900-5925MHz
- +17.5dBm MCS9 VHT80 -35dB DEVM
- ~0.5W power consumption
- 160MHz BW & MCS11 capable

Applications

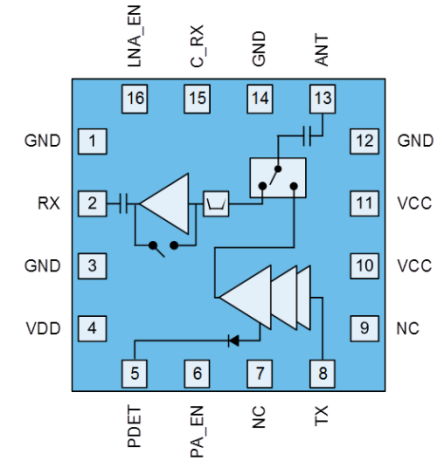
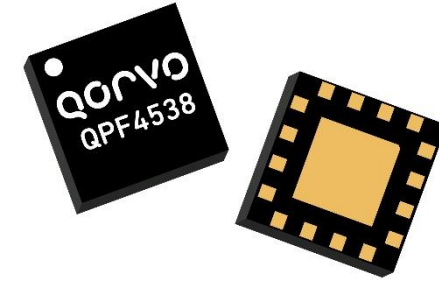
- Access points
- Wireless routers

Benefits

- Optimal for Power over Ethernet (PoE) applications
- Lowest power consumption in industry for power class

Availability

- ECCN: 5A991g
- Samples: Now
- Evaluation boards: Now
- Data sheet: Now
- Production: Now



Part	Freq (MHz)	P _{OUT} (dBm)	EVM (dB)	Standard	Tx Gain (dB)	I _{CC} (mA)	Rx Gain (dB)	NF (dB)	V _{CC} (V)
QPF4538	5180-5925	+17.5	-35	MCS9 VHT80	30	155	14.5	2.5	3.3
		+18.5	-30	MCS7 HT20/40		165			

Ordering Information:

SAP#	Description
QPF4538SB	Sample Bag w/ 5 pcs
QPF4538SQ	Sample Bag w/ 25 pcs
QPF4538SR	7" Reel w/ 100 pcs
QPF4538TR7	7" Reel w/ 2,500 pcs
QPF4538TR13	13" Reel w/ 10,000 pcs
QPF4538PCK-01	Eval Board

